

BOROUGH OF BUENA

Borough of Buena Municipal
Utilities Authority



County of Atlantic

P.O. Box 698
616 Central Ave
Minotola, New Jersey
08341

BBMUA WATER CONNECTION POLICY AND PROCEDURE

All taps shall be installed by a NJ Licensed Plumber or a NJ Public Works Registered Utility Contractor and scheduled with the BBMUA between the hours of 7am to 4pm Monday through Friday with temperatures 55 degrees Fahrenheit or greater. The installer shall obtain and submit to the BBMUA: an approved road opening permit Borough, County or State as applicable, insurance certificate and utility mark out confirmation prior to any excavation. The installer shall also be responsible for all site safety. At the time of installation the tap to the curb stop must be inspected by a BBMUA employee (**DO NOT COVER UNLESS INSPECTED**). The BBMUA employee will verify that the installation is correct. At this point the local plumbing inspector can inspect the service from the curb stop into the structure. All material used must be approved by the BBMUA (approved material list and specifications attached).

PHONE:(856)697-1784 FAX:(856)697-1434
BBMUA IS AN EQUAL OPPORTUNITY EMPLOYER

MATERIAL LIST & SPECIFICATIONS

Minimum 1" K Copper Tubing (not brand specific) is required from the tapping sleeve to the curb stop. A 60' roll is available for 1" long side services and 40' for 2" services. A **minimum depth of 42 inches** to a **maximum depth of 48 inches** is required. Backfill all exposed plumbing by hand and compact accordingly.

Smith- Blair 372 All Stainless Steel Two Lug Full Wrap Service Saddles are required and to be tightened to a **minimum of 50 FT. LBS.** of torque and a **maximum of 70 FT. LBS.** of torque when installed on the PVC Water Main.

6" x 1" cc (372-00069009-000)	6" x 2" cc (372-00069015-000)
8" x 1" cc (372-00090509-000)	8" x 2" cc (372-00090515-000)
10" x 1" cc (372-00111009-000)	10" x 2" cc (372-00111015-000)

Mueller Corporation Stop

1" compression x cc (H-15008N)

2" compression x cc (H-15008N)

Mueller Curb Stop

1" female iron pipe x compression (H-15172N)

2" female iron pipe x compression (H-15172N)

Curb stop must be located in the road's right of way.

Mueller Curb Box (Arch Style with Erie Lid) and Stationary Rod for 1" Services

4' Curb Box (H-10314), 27" Rod (82863)

Curb box must be located in the road's right of way.

Valvco Buffalo Curb Box with Enlarged Base for 2" Services

4' (93D with enlarged base)

Curb box must be located in the road's right of way.

Mueller Compression Union for 2" Long Side Service

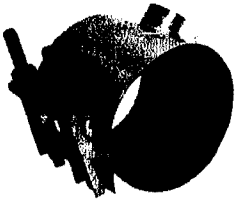
2" compression x compression union (H-15403N)

Borough of Buena M.U.A. 856-697-0450 (Plant)

Caterina Supply, Inc. 856-728-0171 (Parts)

Kennedy Culvert 856-627-7000 (Parts)

Water Works Supply Company 609-567-6330 (Parts)



Service Saddle

Double Bolt, Stainless Steel, for PVC

372

Description: Stainless Steel service saddle with double bolt specifically designed for PVC pipe, but can be used on other pipe types.

Application: Uniform sealing to provide uniform pipe support, without crushing action.

Key Features:

- Provides maximum support and reinforcement
- Standard width is 7½"
- All 304 Stainless Steel construction for great corrosion resistance
- Outlet gasket is bonded into the band to provide optimum sealing efficiency
- Can be manufactured to odd size pipe O.D.s, not restricted to catalog sizes
- A wide variety of outlet sizes and thread types are available to meet demand up to 2"
- Keeper bar helps pull clamp around the pipe and helps close the clamp during installation
- One saddle covers both iron pipe size and Ductile Iron O.D. pipe within the same nominal size
- Outlet Gasket has a hydro-mechanical lip to improve sealing as the pipeline pressure increases

Materials Specifications (subject to change)

BAND: Type 304 Stainless Steel

SIDE BARS & FINGERS: Type 304 Stainless Steel

KEEPER BAR: Type 304 Stainless Steel

STUD BOLTS: Type 304 Stainless Steel with Epoxy Finish on threads

NUTS: Type 304 Stainless Steel Fluorocarbon Finish on threads

WASHERS: Type 304 Stainless Steel

GASKET: Nitrile (Buna N) NSF 61, compounded to resist oil, acids, alkalies, most (aliphatic) hydrocarbon fluids, water and other chemical

Temperature Range: -20°F to 180°F

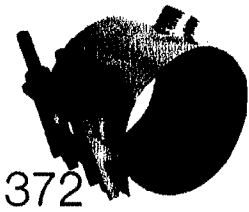
Working Pressure: Up to 150 PSI, depending on size and application

Pipe Applications: Steel, Ductile Iron, Cast Iron, Asbestos Cement, and PVC. For other types of pipe, please contact Smith-Blair engineering.

Taps: ½", ¾" and 1" NPT taps and CC taps; 1¼" and 1½" CC and NPT Taps; 2" CC and NPT taps

Sizes (in inches): 4, 6, 8, 10, 12, 14, 16





Service Saddle

Double Bolt, Stainless Steel, for PVC

1/2", 3/4" and 1" NPT and CC Taps

NOM. SIZE IN.	O.D. RANGE INCHES	CATALOG NUMBER					WT.
		1/2" CC/15 MM	3/4" NPT/20 MM	3/4" CC/20 MM	1" NPT/25 MM	1" CC/25 MM	
4	4.50-4.80	372-00048004-000	372-00048006-000	372-00048007-000	372-00048008-000	372-00048009-000	6
6	6.63-6.90	372-00069004-000	372-00069006-000	372-00069007-000	372-00069008-000	372-00069009-000	6
8	8.63-9.05	372-00090504-000	372-00090506-000	372-00090507-000	372-00090508-000	372-00090509-000	7
10	10.75-11.10	372-00111004-000	372-00111006-000	372-00111007-000	372-00111008-000	372-00111009-000	8
12	12.75-13.20	372-00132004-000	372-00132006-000	372-00132007-000	372-00132008-000	372-00132009-000	9
14	15.20-15.30	372-00153004-000	372-00153006-000	372-00153007-000	372-00153008-000	372-00153009-000	10
16	17.32-17.46	372-00174004-000	372-00174006-000	372-00174007-000	372-00174008-000	372-00174009-000	11

1 1/4" and 1 1/2" CC and NPT Taps

NOM. SIZE IN.	O.D. RANGE INCHES	CATALOG NUMBER				WT. FA. LBS.
		1 1/4" NPT/32 MM	1 1/4" CC/32 MM	1 1/2" NPT/40 MM	1 1/2" CC/40 MM	
4	4.50-4.80	372-00048010-000	372-00048011-000	372-00048012-000	372-00048013-000	6
6	6.63-6.90	372-00069010-000	372-00069011-000	372-00069012-000	372-00069013-000	6
8	8.63-9.05	372-00090510-000	372-00090511-000	372-00090512-000	372-00090513-000	7
10	10.75-11.10	372-00111010-000	372-00111011-000	372-00111012-000	372-00111013-000	8
12	12.75-13.20	372-00132010-000	372-00132011-000	372-00132012-000	372-00132013-000	9
14	15.20-15.30	372-00153010-000	372-00153011-000	372-00153012-000	372-00153013-000	11
16	17.32-17.46	372-00174010-000	372-00174011-000	372-00174012-000	372-00174013-000	12

2" CC and NPT Taps

NOM. SIZE IN.	O.D. RANGE INCHES	CATALOG NUMBER		WT. EA. LBS.
		2" NPT/50 MM	2" CC/50 MM	
4	4.50-4.80	372-00048014-000	372-00048015-000	6
6	6.63-6.90	372-00069014-000	372-00069015-000	6
8	8.63-9.05	372-00090514-000	372-00090515-000	7
10	10.75-11.10	372-00111014-000	372-00111015-000	8
12	12.75-13.20	372-00132014-000	372-00132015-000	9
14	15.20-15.30	372-00153014-000	372-00153015-000	11
16	17.32-17.46	372-00174014-000	372-00174015-000	12

Maximum Working Pressure up to 150 PSI.



Smith-Blair
a xylem brand

Installation Instructions

371 & 372

All Stainless Steel Service Saddle

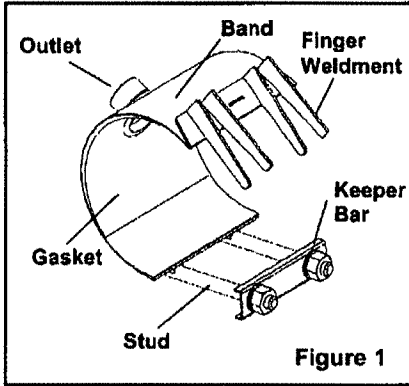


Figure 1

STEP 1

Inspect the shipment received to ensure no damage has occurred during transit and that no hardware is missing. Ensure the received saddle is the proper type, tap size, and correct pipe size range for the installation prior to beginning.

STEP 2

Clean pipe surface thoroughly, particularly in area where gasket will seat. Be sure to remove any scale, dirt, or debris that could affect the gasket seal.

STEP 3

Loosen nuts so that they are flush with the top of stud(s). Disengage keeper bar from finger weldment and open the saddle enough to install on pipe (See Figure 1)

STEP 4

Lubricate pipe and face of gasket with suitable lubricant. Antifreeze should be added in freezing weather.

STEP 5

Place saddle around pipe with outlet in the desired position. Mesh the lug fingers and studs together by pulling the keeper bar upward and snap the lip over the finger weldment base. Care should be taken to mount saddle as close to final tap position as possible. (See Figure 2)

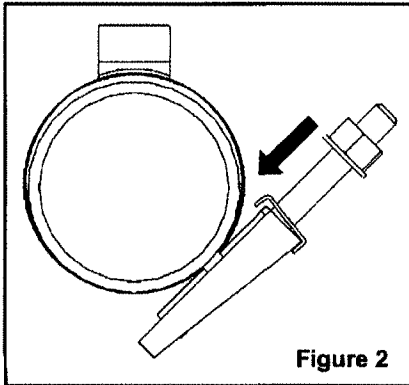


Figure 2

STEP 6

Tighten nuts progressively and uniformly to recommended torque value below **DO NOT OVER TORQUE**. Over torquing will not increase sealing ability and may cause failure in the pipe or saddle

NUT SIZE	TORQUE VALUE*
5/8"	50-70 FT. LBS.

Use of a calibrated torque wrench is recommended!
**The torque requirements above are only intended to provide an effective seal between the saddle gasket and the pipe. The saddle assembly is not designed to provide structural rigidity for connections equipment, or any alternate use of the saddle assembly.*

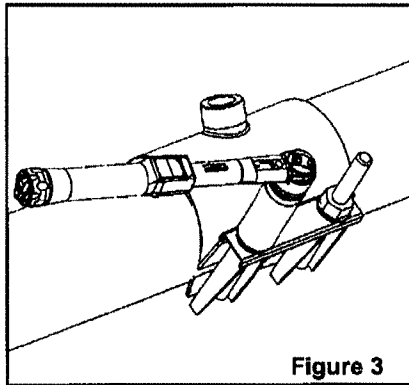


Figure 3

STEP 7

Make connection to the saddle boss. Suitable pipe thread sealant is recommended. Care should be taken not to cross thread or twist/rock the saddle body while making the connection. Pressure testing for leaks prior to making the tap is recommended.

See other side for POLYETHYLENE pipe installation instructions.

Mueller Co. has been manufacturing ground key corporation stops since 1870 and many features of the modern day stops were developed by Mueller Co.

These features include a brass alloy, and inlet thread and outlet connections that were eventually adopted as American Water Works Association Standards.

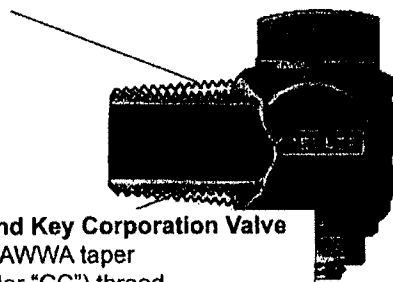
Mueller® Ground Key Design Corporation Valves



- Integral Outlet** - available with a wide variety of outlet end connections including the Mueller 110® Compression Connection, Mueller Grip Compression Connection, Mueller Pack Joint Connection, Mueller INSTA-TITE® Connection, copper flare, inside iron pipe, outside iron pipe, increasing iron pipe, Mueller Coupling Thread and other popular connections.
- Inlet Threads** - are either AWWA taper thread (Mueller "CC") or AWWA iron pipe thread.
- Manufactured and Tested** - to ANSI/AWWA C800 Standard.
- Straight Through Design** - allows maximum flow with minimum pressure loss.
- Key and Body** - are precision machined to assure sealing surfaces match.
- 100psig** - maximum working pressure for 1/2," 3/4" and 1" sizes. 80 PSIG - maximum working pressure for 1-1/4", 1-1/2" and 2"
- "D" Shaped Washer** - turns with key to prevent loosening of key nut.
- Key Nut** - is designed so overtightening will strip stem threads instead of breaking stem.

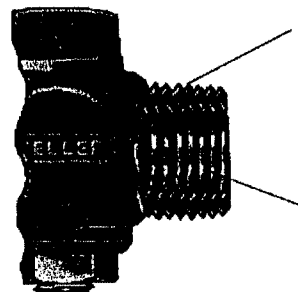
Corporation valve inlet threads

- AWWA taper (Mueller "CC") thread.



Mueller Screw plug thread

- Increasing I.P. thread is one size larger than inlet.
- Screw plug thread is same nominal size as inlet.



H-15008N

Ground Key Corporation Valve
Inlet: AWWA taper (Mueller "CC") thread
Outlet: Mueller® 110® Conductive Compression Connection for CTS O.D.* tubing

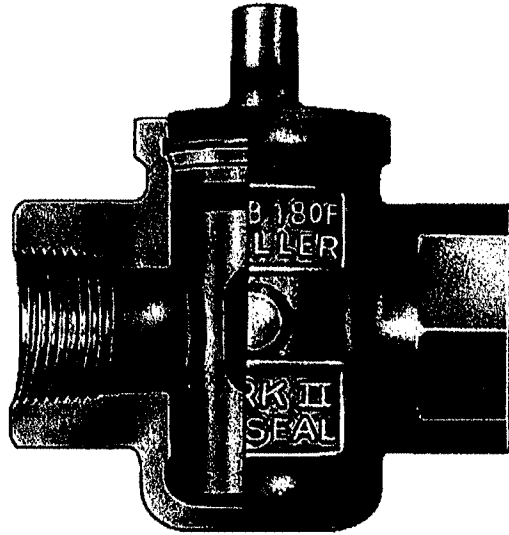
1/2"+	5/8"	3/4"	3/4"x1"	1"	1-1/2"	2"
-------	------	------	---------	----	--------	----

Rev. 4-14 Shaded area indicates changes

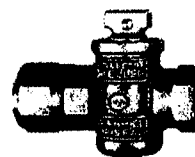
The Mueller® MARK II ORISEAL® Curb Valve has a sturdy one-piece, closed-bottom body that differs from other designs by reducing the number of potential leakage points. The closed bottom design minimizes exposed moving parts. The large tee head and plug are integrally cast as one strong piece to resist twisting and breaking. In addition, the O-ring sealed design allows the plug to turn easily in the body, with a minimum of torque. The top and port O-rings are fully supported in machined grooves to provide positive sealing. All of these features combine in the Mueller MARK II ORISEAL Curb Valve to provide reliable performance and long-term reliability.

All service brass will comply with AWWA C-800. Components in contact with potable water will also comply with latest requirements of the Federal Safe Drinking Water Act.

Mueller MARK II ORISEAL Curb Valve



- Top Sealing O-Ring** - seals top of valve.
- Free Turning Plug** - eliminates metal-to-metal seating for easy turning.
- Engineered Entry Angle** - provides smooth transition to flow passage with minimum flow loss.
- Port Sealing O-Ring** - assures positive shut-off and easy turning.
- High Strength Integral Checks** - assure positive quarter turn operation and are equal in strength to the tee head.
- Large Tee Head** - is an integral part of the plug. The tee head also indicates if the valve is opened or closed.
- Closed Bottom** - minimizes exposed moving parts.
- Low Friction Thrust Washer** - reduces friction between plug and snap ring for easy turning.
- Manufactured & Tested** - to ANSI/AWWA C800 standard.
- Protective Top** - has diameter larger than body and tee head to prevent a curb box from interfering with the tee head operation.
- 175 PSIG** - maximum working pressure.
- Elongated Roundway** - provides straight through flow passage with low pressure loss.
- Heavy Brass Components** - constructed of brass for strength and durability.
- End Connections** - include copper flare, Mueller 110® Compression Connection, Mueller INSTA-TITE® Connection, Mueller Pack Joint and F.I.P. thread.



Mueller MARK II ORISEAL Curb Valve

Inlet: Mueller 110
Conductive Compression
Connection for CTS O.D. tubing
Outlet: F.I.P. thread
Quarter turn check

H-15172N

CURB BOXES - EXTENSION TYPE WITH ARCH PATTERN BASE

Shaded area indicates change Rev. 9-09



Extension type curb box with arch pattern base-for 1/2" through 2" curb valves

The arched base rests on top of the valve and extends down around the valve head to help exclude dirt and debris. The box is cast iron and is furnished with a cast iron lid and brass pentagon plug (the H-10314 is furnished with a one piece lid that requires a spanner wrench to remove – wrench ordered separately). The upper part of the box is spring loaded and telescopes into the base to allow for grade adjustment within the range given in the dimension charts. Stationery rods, shut-off rods, and pentagon keys are optional and are ordered separately.

Box Selection

Curb valve and size	Box	
	Catalog number	Inside diameter

Mark II		
3/4"	H-10306	1-1/4"
	H-10308	1-1/2"
1"	H-10306	1-1/4"
	H-10308	1-1/2"
1-1/4"	H-10310	2"
	H-10314**	1"
	H-10334**	1"
1-1/2"	H-10310	2"

**The H-10314 and H-10334 boxes are the same except the H-10314 is furnished with a one piece lid, the H10334 has a combination lid and pentagon plug.

Rev. 10-16 Shaded area indicates changes

Dimensions and Optional Stationary Rod

H-10306 and H-10308 curb boxes

Curb box catalog number	Box length extended		Box length fully retracted		Weight		Optional stationary rod	
	in.	mm	in.	mm	lbs.	kg	Part number	Length (in.)
H-10306 1-1/4" upper section	24	610	18.00	457.0	12.0	5.4	84774	12-3/4
	30	762	18.00	457.0	14.0	6.4	84346	15
	36	914	24.00	610.0	15.0	6.8	84275	21
	42	1067	30.00	762.0	16.0	7.3	84233	27
	48	1219	36.00	914.0	17.0	7.7	84245	33
	54	1372	42.00	1067.0	18.0	8.2	84247	39
	60	1524	46.00	1219.0	19.0	8.6	84154	45
	66	1676	54.00	1372.0	20.0	9.1	84281	51
	72	1829	60.00	1524.0	22.0	10.0	84341	57
	78	1981	66.00	1676.0	23.0	10.4	84297	63
	84	2134	72.00	1829.0	24.0	10.9	84152	69
	90	2286	78.00	1981.0	25.0	11.3	88703	75
96	2438	84.00	2143.0	26.0	11.8	84274	81	
H-10308 1-1/2" upper section	24	610	20.44	519.2	13.0	5.9	-	14
	30	762	20.44	519.2	15.0	6.8	84742	16
	36	914	24.00	610.0	16.0	7.3	84256	18
	42	1067	30.00	762.0	17.0	7.7	84326	24
	48	1219	36.00	914.0	18.0	8.2	84305	30
	54	1372	42.00	1067.0	20.0	9.1	84338	36
	60	1524	46.00	1219.0	21.0	9.5	84353	42
	66	1676	54.00	1372.0	22.0	10.0	88702	48
	72	1829	60.00	1524.0	23.0	10.4	84255	54
	78	1981	66.00	1676.0	25.0	11.3	83299	60
	84	2134	72.00	1829.0	26.0	11.8	80843	66
	90	2286	78.00	1981.0	27.0	12.2	84832	72
96	2438	84.00	2143.0	28.0	12.7	88139	78	

H-10306 and H-10308 curb boxes

Curb box catalog number	Box length extended		Box length fully retracted		Weight		Optional stationary rod	
	in.	mm	in.	mm	lbs.	kg	Part number	Length (in.)
H-10310 2" upper section	24	610	21.44	544.5	21.0	9.5	-	-
	30	762	21.44	544.5	23.0	10.4	84146	15
	36	914	24.00	610.0	25.0	11.3	84162	21
	42	1067	30.00	762.0	27.0	12.2	84147	27
	48	1219	36.00	914.0	28.0	12.7	84176	33
	54	1372	42.00	1067.0	30.0	13.6	84139	39
	60	1524	46.00	1219.0	32.0	14.5	84140	45
	66	1676	54.00	1372.0	34.0	15.4	84128	51
	72	1829	60.00	1524.0	35.0	15.9	84143	57
	78	1981	66.00	1676.0	37.0	16.8	84222	63
	84	2134	72.00	1829.0	39.0	17.7	84169	69
	90	2286	78.00	1981.0	41.0	18.6	-	75
96	2438	84.00	2143.0	43.0	19.5	-	81	
H-10314 and H-10334 1" upper section	24	610	18.00	457.0	9.5	4.3	82875	11.25
	30	762	18.00	457.0	10.0	4.5	82892	16.75
	36	914	24.00	610.0	11.0	5.0	82862	21.0
	42	1067	30.00	762.0	12.0	5.4	82863	27.0
	48	1219	36.00	914.0	14.0	6.4	82864	33.0
	54	1372	42.00	1067.0	15.0	6.8	82865	39.0
	60	1524	46.00	1219.0	16.0	7.3	82866	45.0
	66	1676	54.00	1372.0	17.0	7.7	82867	51.0
	72	1829	60.00	1524.0	18.0	8.2	82868	57.0
	78	1981	66.00	1676.0	19.0	8.6	82869	63.0
	84	2134	72.00	1829.0	20.0	9.1	82870	69.0
	90	2286	78.00	1981.0	21.0	9.5	82871	75.0

Extra lids and plug

Lids are cast iron with an integrally cast brass bushing which allows for easy removal of pentagon plug.

* Stationary rods are supplied with H-10314 and



One piece lid

Curb Box Catalog number	One piece lid part number	Lid with brass pentagon plug - part number	Lid with brass bushing and cast iron plug	Plug only part number	
				Cast Iron	Brass
H-10306	-	89369	89375	58039	63670
H-10086	-	581642	89980	58116	63683
H-10310	-	681714	89981	59478	63684
H-10314**	89982	-	-	-	-
H-10334**	-	89376	89376	-	36571

H-10334 only. Stationary rods are optional with all other boxes shown on this page and must be ordered separately.

** The H-10314 and H-10334 boxes are the same except the H-10314 is furnished with a one piece lid, the H-10334 has a combination lid and pentagon plug.

TO ORDER BOXES SPECIFY EXTENDED LENGTH, SIZE OF MINNEAPOLIS THREAD AND CATALOG NUMBER

2 1/2" Cast Iron Curb Service Boxes

Fig. No. 4901

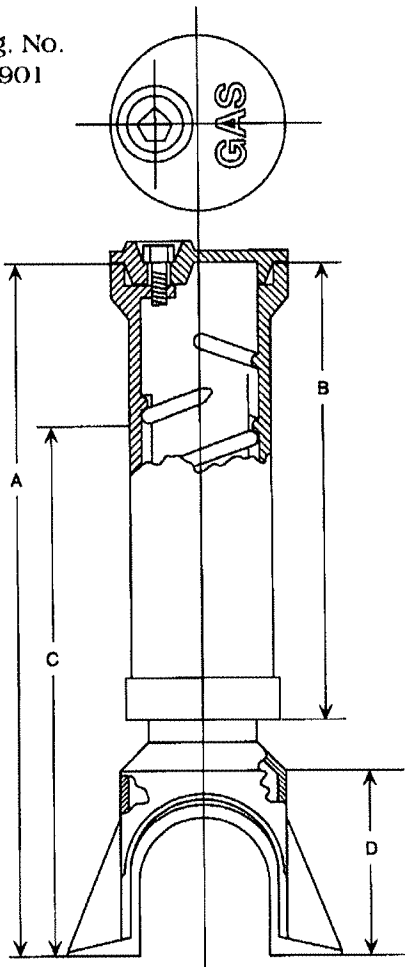


Fig. No. 4901
2 1/2" Service Boxes Complete

- We will ship Fig. No. 4901 new style service boxes unless specified.
- The new style upper section with inlaid cover adds strength, and especially adapts the box for use in cement driveways and sidewalks.
- A complete service box consists of lid with pentagon head bolt, top section and bottom section.
- Certain sizes of these boxes are available in sliding type and/or with top sections as shown in description below. Please inquire.

Reference Table — Dimensions in Inches, Weight in Lbs.

Size No.	Extension Range - A	Top Section & Cover			Bottom Section				Total Weight
		No.	Wt.	Dim. B	No.	Wt.	Dim. C	Dim. D	
93-D	33"-46"	D	16.1	20.0"	93	15.8	28.0"	6.5"	31.9
93-E	33"-50"	E	19.6	23.5"	93	15.8	28.0"	6.5"	35.4
94-D	40"-56"	D	16.1	20.0"	94	22.3	37.5"	6.5"	38.4
94-E	40"-60"	E	19.6	23.5"	94	22.3	37.5"	6.5"	41.9
94-F	38"-66"	F	26.1	29.0"	94	22.3	37.5"	6.5"	48.4

When Ordering Specify: Fig. No. — Size No. — Cover Marked GAS or WATER or Special Lettering at Extra Cost.

Optional Top Sections

Check for size availability.

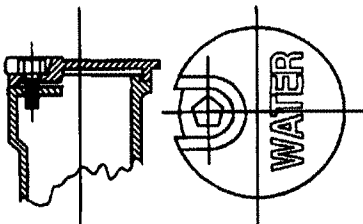


Fig. No. 4901-A
2 1/2" Old Style Top & Cover
Note Different Style Top

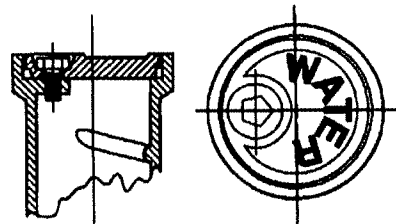


Fig. No. 4901-B
2 1/2" New Style Flush Fit Cover
Only Cover is Different Style

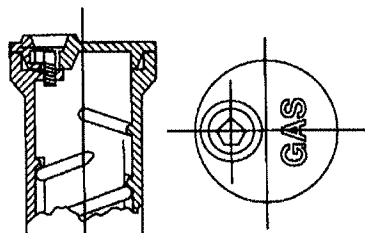


Fig. No. 4901-C
2 1/2" New Style Top & Cover

Service Box Extensions

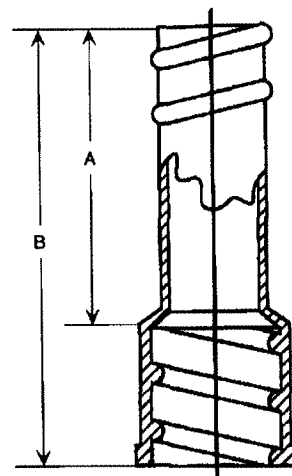


Fig. No. 4901-X

Size No.	Increases Length A	Overall Length B	Total Weight
151	9.5	13	6
152	16.5	20	8

Drawing Shows
Stationary Rod, Ring
and Pin in Position and
Complete Box Resting
on Foot Piece.

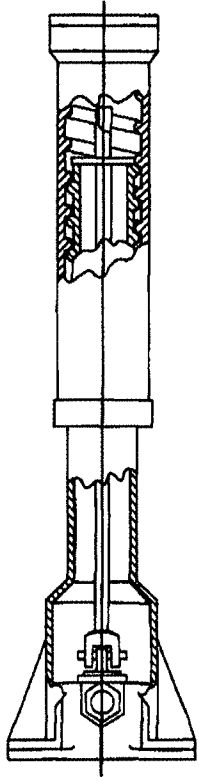


Fig. No. 4901-R

Accessories for 2 1/2" Service Boxes

- Fig. No. 4901-R
Stationary Rod, Ring & Pin
For use with all boxes when permanent stationary rod is desired at installation.
- Fig. No. 4950
Combination Key
18", 27", 36", or as long as specified. This key has 12" TEE handle. The socket has wrench for removing pentagon bolt and is slotted to operate the stationary rod. Pick on one end.
- Fig. No. 4951, 4952, 4953 & 4954
Pentagon Head Bolt
Has standard waterworks head and thread.
- Fig. No. 4960
Hand Key
For operating pentagon head bolt.
- Fig. No. 4970
Foot Piece
A stop cock holder available in the following curb cock sizes: 3/4", 1" and 1 1/4".
- Fig. No. 4980
No. 14-E Enlarged Base
Used with complete service box for curb stops up to 2". Increases box length 6 inches.

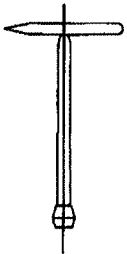
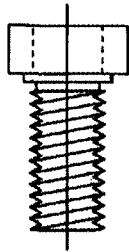


Fig. No. 4950



- Fig. No. 4951 (Brass)
Fig. No. 4952 (Corten Steel)
Fig. No. 4953 (Aluminum)
Fig. No. 4954 (Security Bolt)

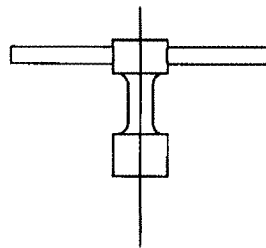


Fig. No. 4960

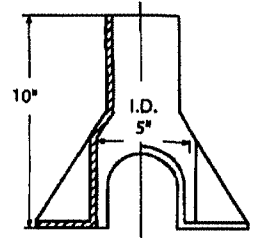


Fig. No. 4980

Repair Lids

Lettered Water or Gas
as Specified

- Repair lids are designed for use when boxes in the ground have been damaged and it is not desirable to break the ground to replace the lids.
- These lids can be furnished as a substitute for our standard curb box lids at a slightly higher price.

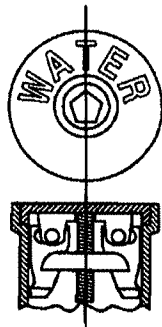


Fig. No. 4901
Flush NSR
New Style Repair Lid

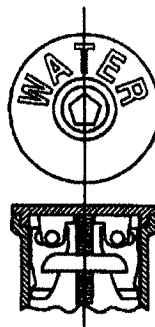


Fig. No. 4901-NSR
New Style Repair Lid

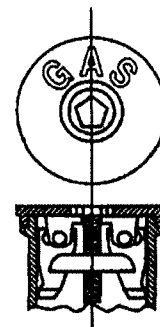


Fig. No. 4901-OSR
Old Style Repair Lid
for No. 4901-R
Service Box

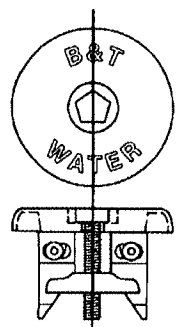


Fig. No.
BTH 10374
Old Style
Repair Lid